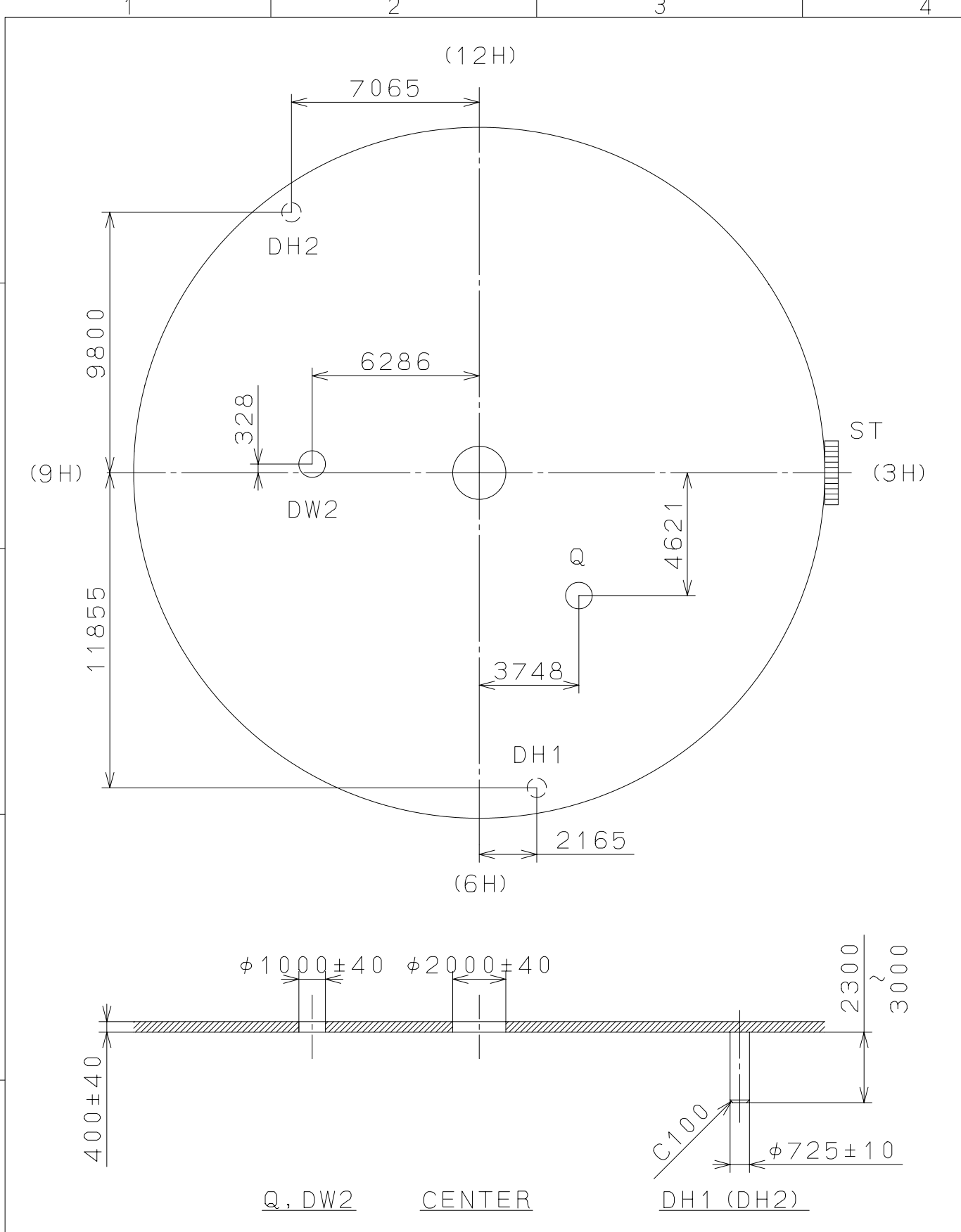




2007/06/21 (09:40:45)

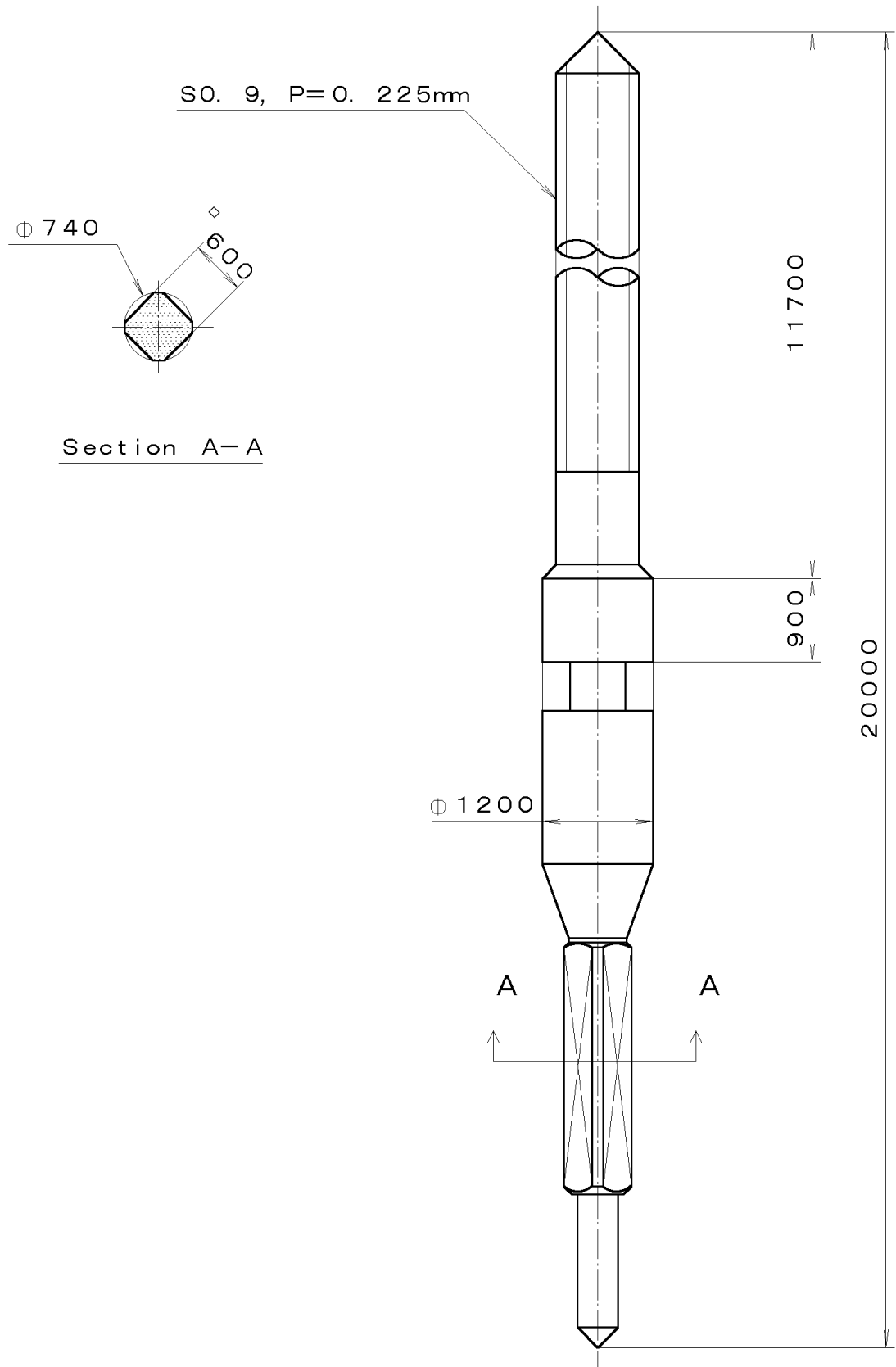
This drawing is provisional and subject to our reconfirmation and/or revision without notice.



△			Quantity		Cal. NO.:
△			Unit	1 / 1000 mm	8247-21A
△			Scale	5 : 1	Parts No.:
△			Date		
△			Drawn		
Mark	Date	Description	Appr.	Checked	Name:
		Alterations	Approved	N. Suzuki	Indications for Dial
Material					Drawing No.: 8247D0AS
Heat Treatment			General Tolerances	<b>MIYOTA</b> CITIZEN WATCH CO., LTD. TOKYO, JAPAN	
Hardness			Dimensions		
Plating			Angles		

This drawing is provisional and subject to our reconfirmation and/or revision without notice.

\*\*\* T I P W (01) \*\*\* (2100 1121) 00-09-18



7				Quantity		Cal. No. :	
6				Unit	1/1000 mm	Parts:	065-212
5				Scale	15:1		
4				Date		Name:	SETTING STEM
3				Drawn			
2				Checked	T. Hiruta	Drawing No. : 2120S000	
1				Approved			
Material				General Tolerances		<div style="font-size: 2em; font-weight: bold; margin-bottom: 5px;">CITIZEN</div> WATCH CO.,LTD. TOKYO, JAPAN	
Heat Treatment				Dimensions			
Hardness				Angles			
Plating							

